





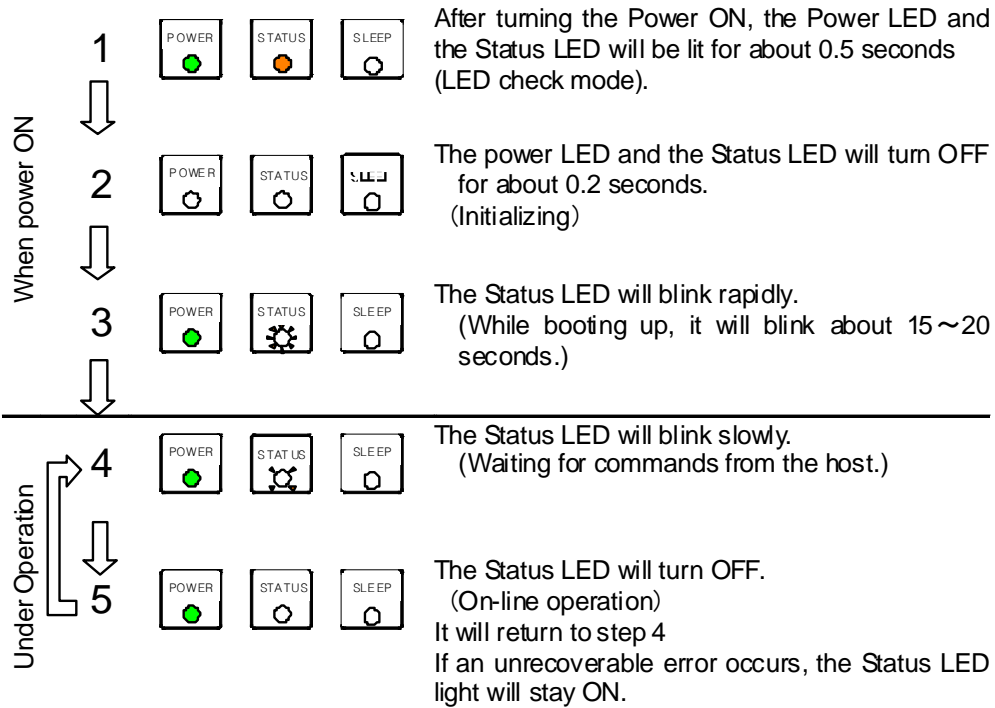
Hitachi OCR Scanner HT-4139

Quick Guide

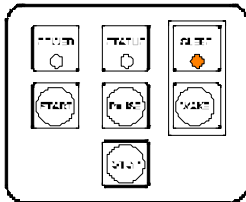
1. Panel Indication

(1) Normal condition

LED indication  : ON lit  : OFF unlit  : blinking (rapidly)  : blinking (slowly)



(2) Power save mode



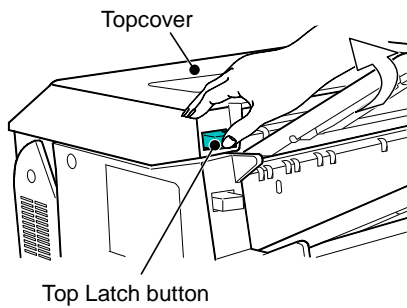
The power save mode LED will be ON.

Restore process is the same as the steps to turn the Power ON.

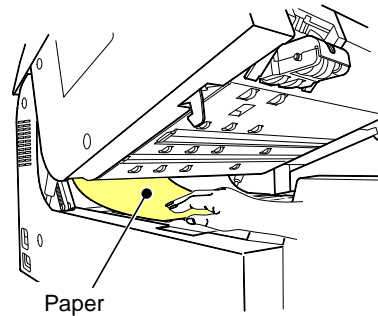
Refer to Chapter 4, Power save mode, the

2. Handling Paper Jam

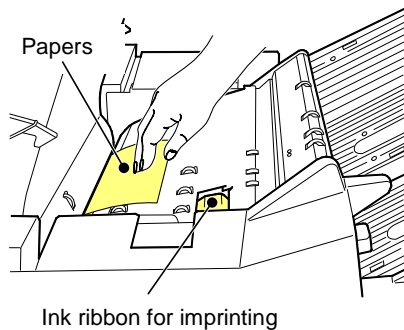
(1) Push the Top Latch button and open the Top Cover in the direction of the arrow.



(4) Remove jammed papers in the paper feeder.

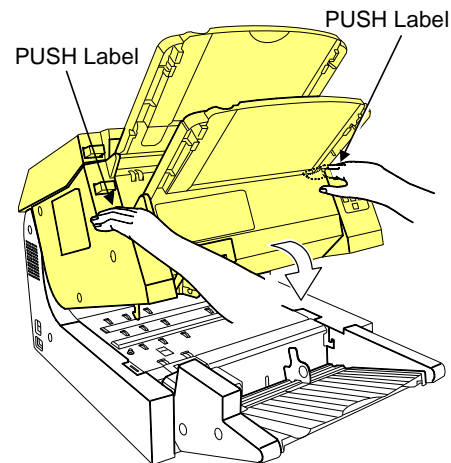


(2) Remove jammed papers.

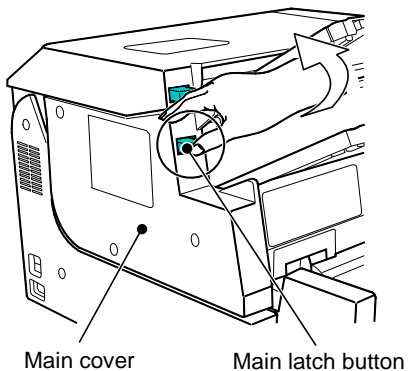


(5) Close the Main cover.

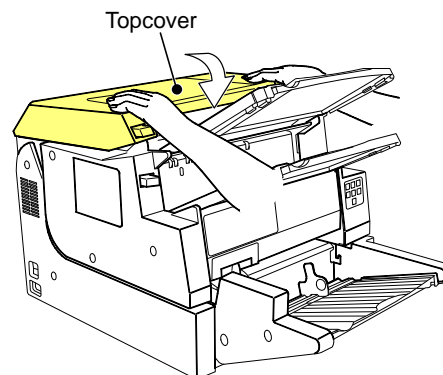
When you close the Main cover, push both labels with fingers and push the cover down until it snaps into place.



(3) If you do not see any papers, press the Main latch button and open the Main cover in the direction of the arrow.



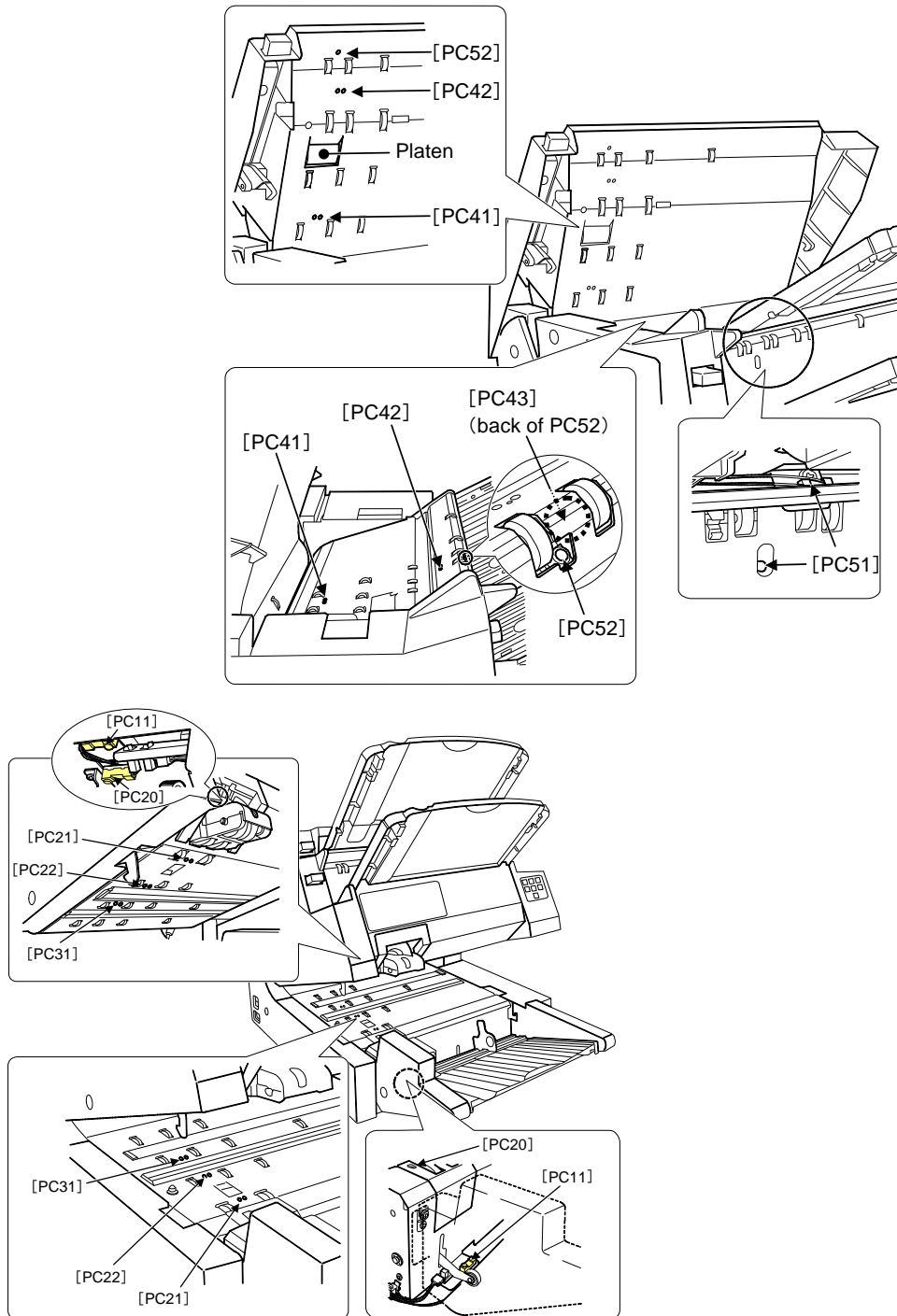
(6) When you close the top cover, push it down with both hands until it snaps into place.



3. Device Care before Daily Operation and When Errors Occur

Daily inspection and cleaning

Locations of major components such as detectors, platens and rollers

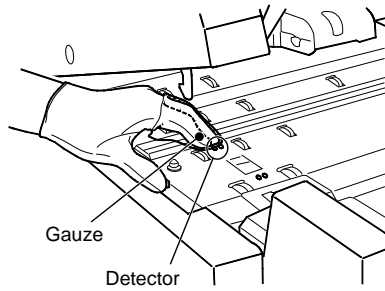


3.1 Cleaning Detectors

[PC21] [PC22] [PC31] [PC41] [PC42] [PC51]
[PC52]

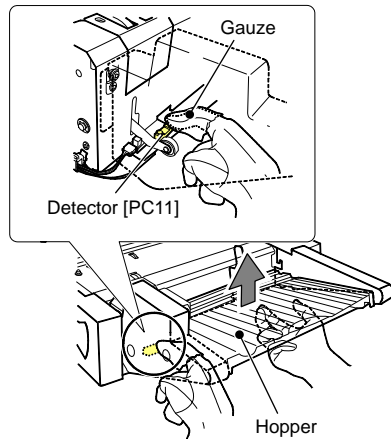
Wrap gauze, wet cloth, etc. around fingers and clean parts as shown in the left.

Example Below: Cleaning parts PC22.



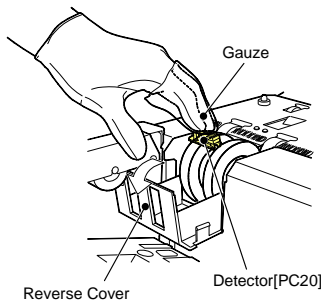
Detector [PC11]

- ① Lift the Hopper up by fingers.
- ② Wrap gauze, wet cloth, etc. around fingers and clean.



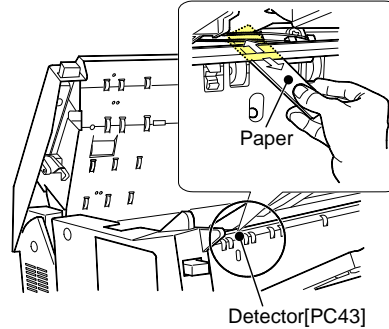
Detector [PC20]

Open the Reverse Cover
Wrap gauze, wet cloth, etc. around fingers and clean.



Detector [PC43]

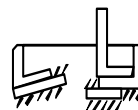
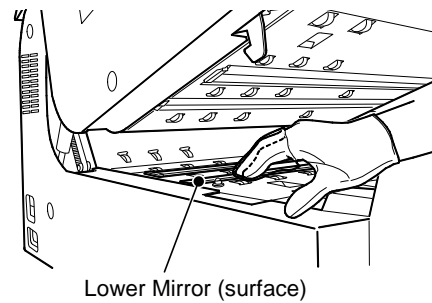
Slide paper between the rollers and clean.



3.2 Lower Mirror (surface) and Cover Sheet (surface)

- ① Clean with gauze.

If the inside of the Cover Sheet (surface) has dust or debris, remove the cover by following the procedure shown in the next page and clean.

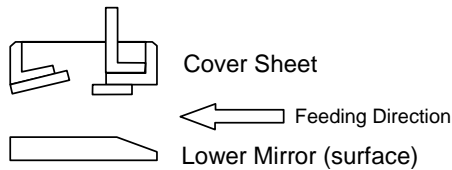
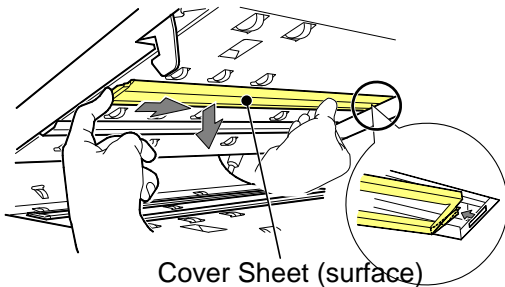


Remove dust from the /// area

Cover Sheet (surface), Cross section from the left of the device.

Remove Cover Sheet (surface)

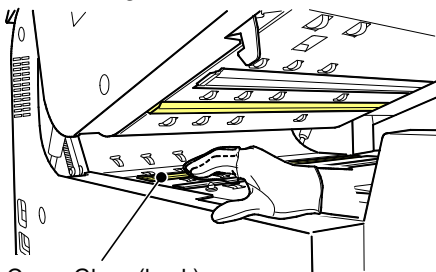
- (1) Put fingers on the right side of the Cover Sheet and slide it to right. With left finger pull it down.
- (2) To re-attach the Cover Sheet take the reverse step. (The direction of the Cover Sheet is important. Refer to the figure below and attach it correctly. The fluorescent lamp may get scratched if attached incorrectly.)



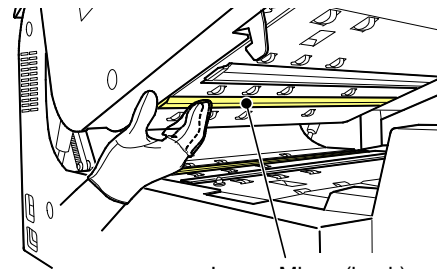
(Cross Section from Left)

3.3 Lower Mirror (back) and Cover Glass (back)

Clean with gauze.



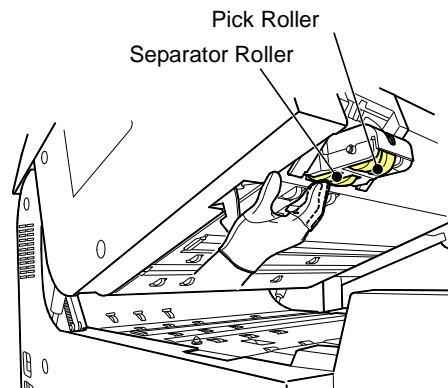
Cover Glass (back)
(48 type double side)



Lower Mirror (back)
(48type double side)

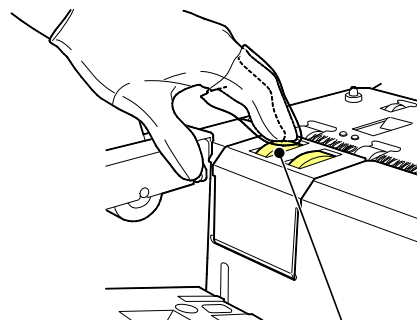
3.4 Picker Roller and Separator Roller

Clean with gauze or cloth.



3.5 Reverse Roller

Clean with gauze or cloth.



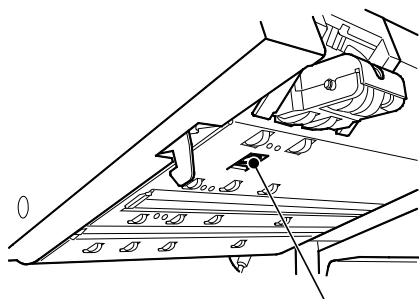
Reverse Roller

3.6 Ultra Sonic Sensor

Clean with gauze or cloth.

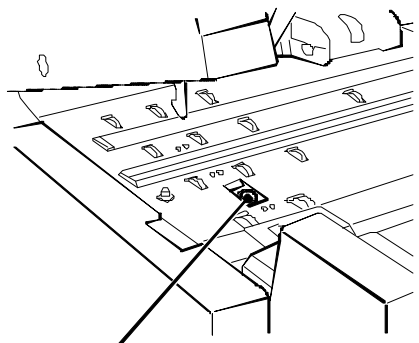
< REMARK > Clean the Ultra Sonic Sensor gently. Any shift or scratches to the Sensor may cause errors.

Ultra Sonic Sensor (Receiving)



Ultra Sonic Sensor (receiving)

Ultra Sonic Sensor (Transmitting)



Ultra Sonic Sensor (Transmitting)

4. Maintenance Parts

OCR scanners use fluorescent lamps to read and rollers to transfer/separate the paper. These parts may deteriorate with time and heavy usage and it may be the cause of errors. Preventive maintenance should be conducted to reduce the risk of these errors occurring.

If an error message related to component life appear, please contact a service personnel.