

Hitachi OCR Scanner HT-4139

Consumables Replacement

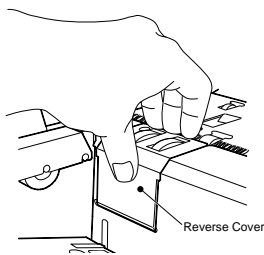
1. Replacement of Rollers

1.1 Reverse Roller

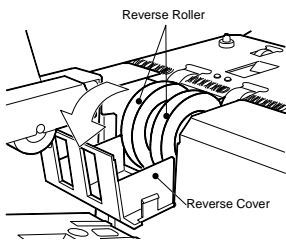
1.1.1 Removal of Reverse Roller

(1) Push the Main Latch button and open the main cover.

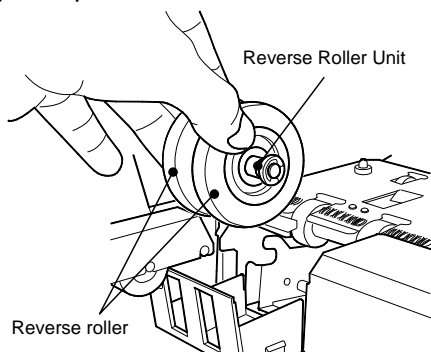
(2) Put fingers on the reverse cover.



(3) Pull the Reverse Cover towards the arrow and open it.



(4) Lift up the Reverse Roller unit to remove it.



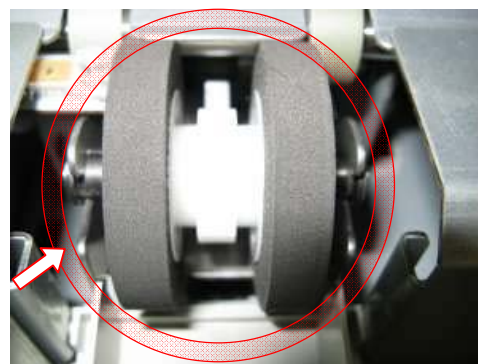
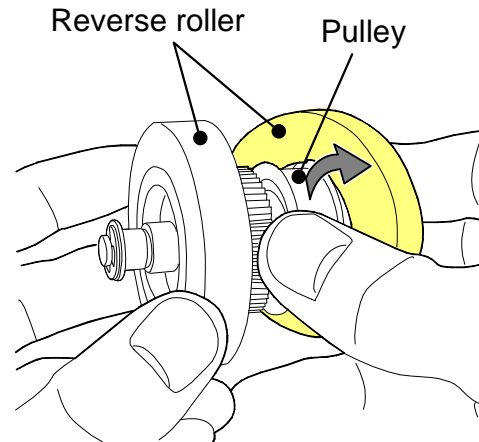
1.1.2 Replacement of Reverse Roller

(1) Remove the Reverse Roller from the Pulley by hand

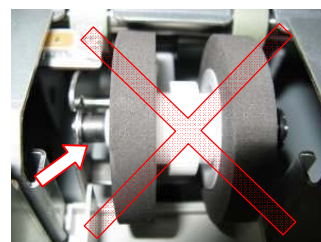
(2) Take the reverse step to re-attach the Reverse Roller

(3) After re-attaching, to tighten the Pulley and the Roller, rotate the Roller strongly using palm

(4) Put the reverse Roller Unit in both grooves securely and close the reverse cover.



Put in both grooves securely

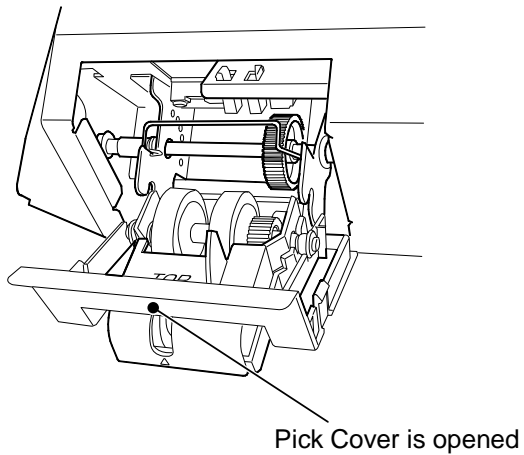
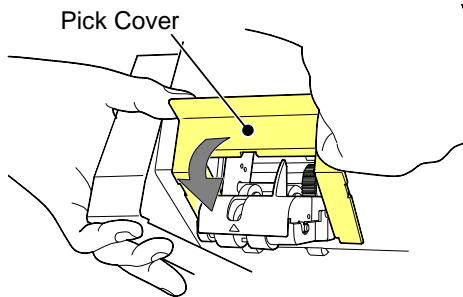
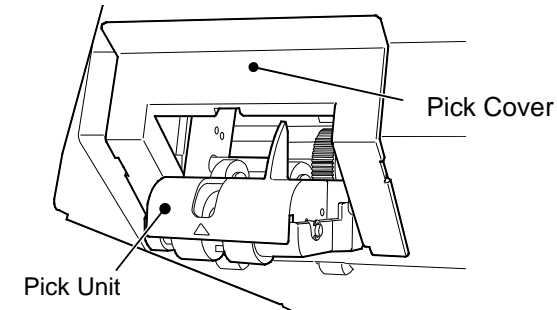


Not in the grooves

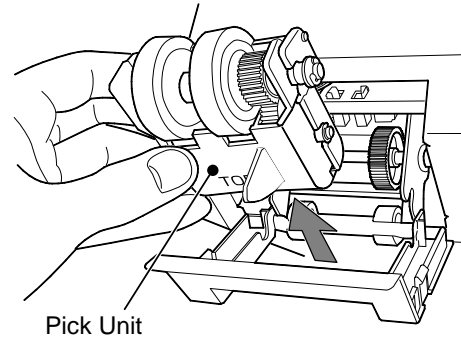
1.2 Replacement of Pick Roller and Separator Roller

1.2.1 Removal of Pick Unit

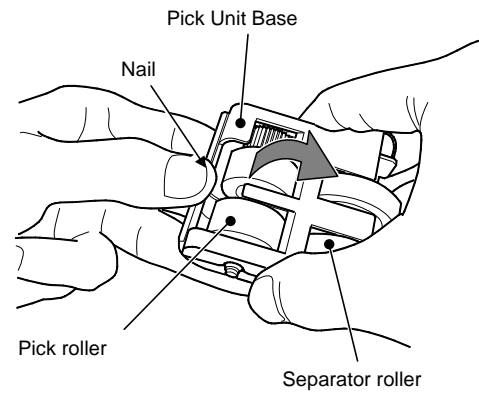
(1) Pull the pick cover down towards the arrow with fingers and open it.



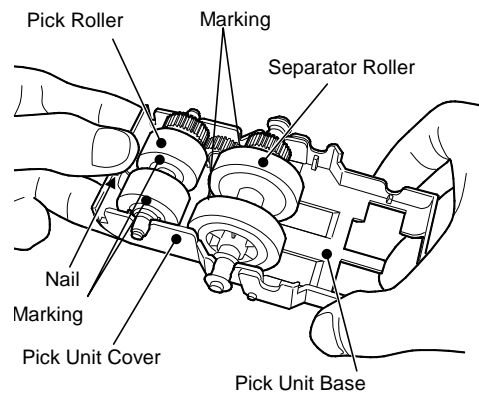
(2) Pull out the Pick Unit and remove it.



(3) Grab the nail part of the Pick Unit Cover and open the Pick Unit Base towards the arrow.



(4) Remove the Pick roller and the Separator Roller.



1.2.2 Replacement of Pick Roller

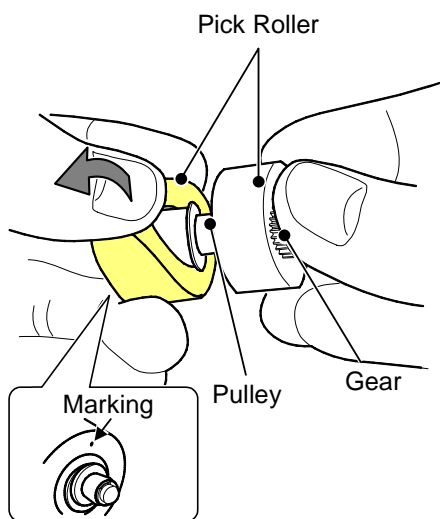
(1) Remove the Pick Roller from the Pulley by hand.

Both Pick Rollers can be removed by pulling away from the Gear

(2) Take the reverse step to re-attach the Pick Roller.

*The Marking on the Pick Roller should be mounted on the other side of the Gear.

(3) After re-attaching, to tighten the Pulley and the Roller, rotate the Roller strongly using palm .



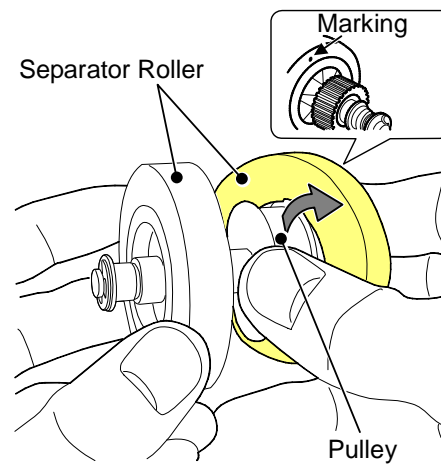
1.2.3 Replacement of Separator Roller

(1) Remove the Separator Roller from the Pulley using hands.

(2) Take the reverse step to re-attach the Separator Roller.

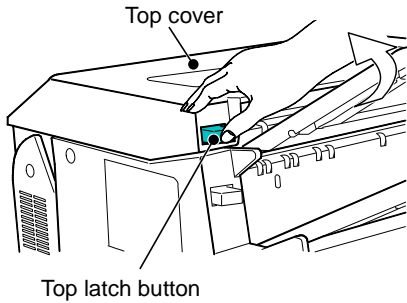
*The Making on the Separator Roller should be mounted on the other side of the Gear

(3) After re-attaching, to tighten the Pulley and the Roller, rotate the Roller strongly using palm.



2. Replacement of Ribbon Cassette

(1) Press the Top Latch button and open the top cover towards the arrow.



(2) Push the "PUSH" label on the Cover (Imprint) and open it.

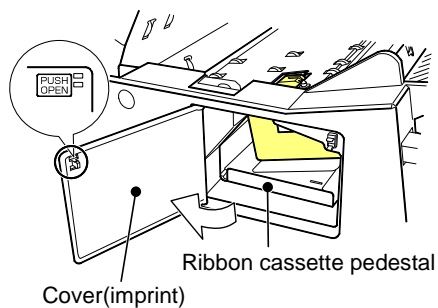
Check the position of the imprint using the labels.

Definitions:

The Standard Position is the spot where the Tray stops when you pull it out.

The Inner Position is the spot where the Tray stops when you push it in.

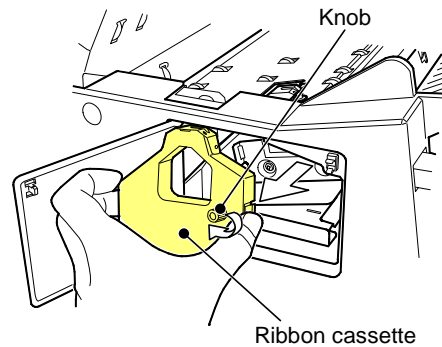
(3) Pull the Ribbon Cassette Tray to the "Standard Position". (Do not pull further if it is already at the "Standard Position")



(4) Pull out the Ribbon Cassette and remove the Ribbon.

(5) Set the Ribbon Cassette Tray to the "Inner Position". (Push the Tray until it stops.)

(6) To tighten the Ribbon, turn the knob



(7) Set the Cassette to the imprint mechanism carefully so the tip does not get stuck.

(8) Set the Tray to the position in Instruction (2).

(9) Close the Cover (Imprint).

(10) Push the "PUSH" label to close the Cover.

